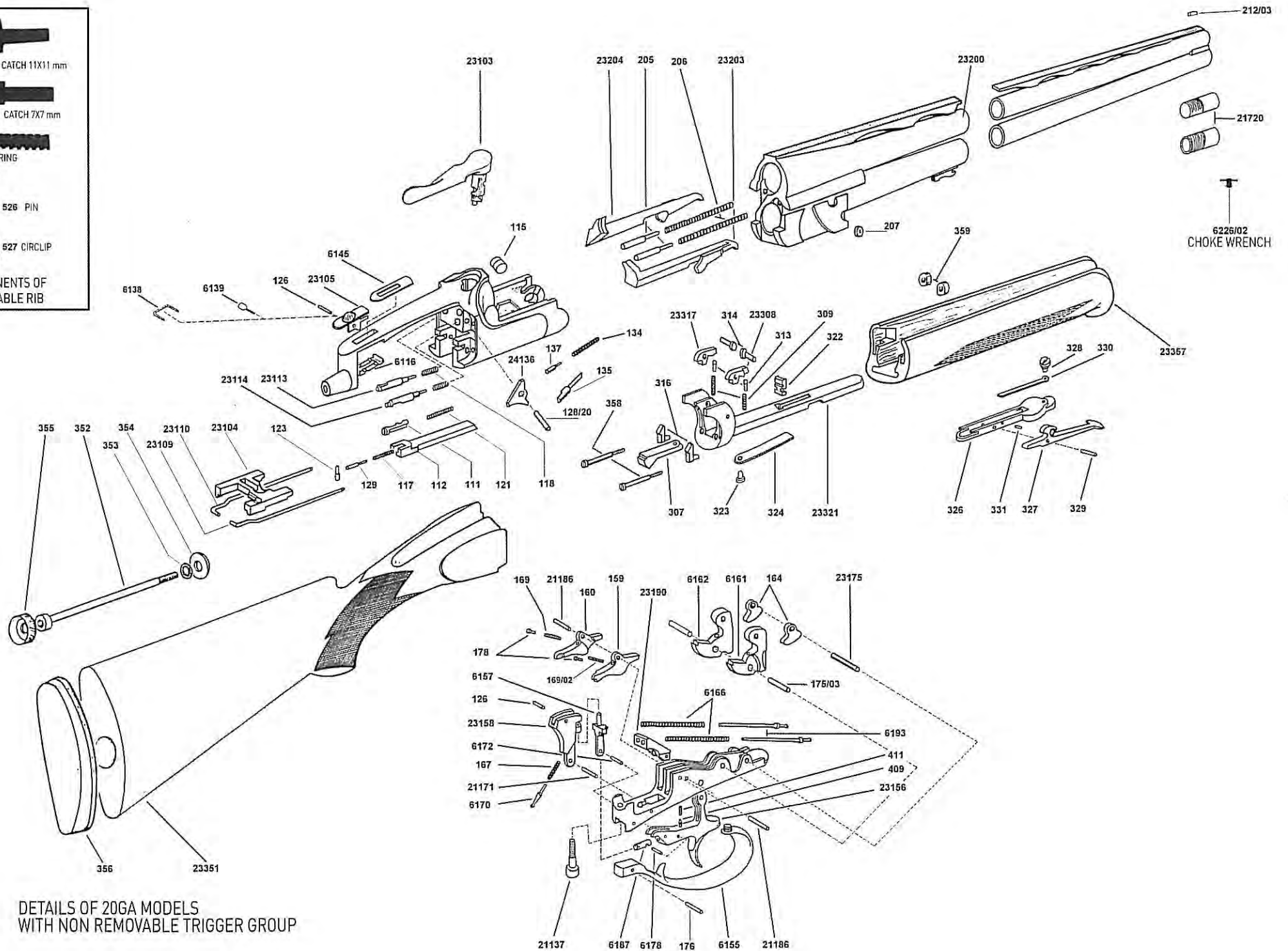


524/06 CATCH 11X11 mm
 524/05 CATCH 7X7 mm
 525/1 SPRING
 526 PIN
 527 CIRCLIP
COMPONENTS OF ADJUSTABLE RIB



DETAILS OF 20GA MODELS
 WITH NON REMOVABLE TRIGGER GROUP

EXPORT PRICE LIST APPLICABLE FROM JANUARY 1ST 2012 DETAILS OF 20GA MODELS WITH NON REMOVABLE TRIGGER GROUP

Note: When placing an order for spare parts, please indicate the part number, its full description and the serial number of the gun.

Part N.	Description	Part N.	Description	Part N.	Description
111	Locking piece top lever	358	Forend lock screw	23351	Stock (see guns price list)
112	Cocking bar	359	Forend lock bolt	23357	Forend (see guns price list)
115	Pivot	409	Trigger retaining pin	24136	Top lever stop plate
117	Cocking bar spring	411	Trigger return spring	128/20	Fir.pin lock cam pin trip
118	Firing pin return spring	526	Pivot for adjustable rib	169/02	Left sear spring
121	Top lever return spring	527	Lock for adj. rib pivot	175/03	Hammer pin
123	Cocking bar screw check	6116	Safety spring	212/03	Front sight
126	Safety botton pin	6138	Locking piece for saf.bott.(optional)	524/05	Adjustable rib tab 7x7
129	Plunger trip	6139	Locking pin for sel. lever (optional)	524/06	Adjustable rib tab 11x11
134	Top lever lock pin return spring	6145	Under safety	525/1	Spring for adj. rib tab
135	Top lever stop plate release pin	6155	Trigger guard	6226/01	Choke wrench (optional)
137	Top lever stop plate rel. sp.plunger	6157	Sear trip		
159	Right sear	6161	Right hammer		
160	Left sear	6162	Left hammer		
164	Cocking foot	6166	Hammer spring		
167	Connector spring	6170	Connector block plunger		
169	Right sear spring	6172	Sear trip pivot pin		
176	Trigger guard pin	6178	Link retainer pin		
178	Sear plunger	6187	Sear trip pin		
205	Ejector spring plunger	6193	Hammer spring plunger		
206	Ejector spring	21137	Lock bolt nut ret. screw		
207	Ejector lock	21171	Connector block pivot pin		
307	Cocking bar cam	21186	Pivot sear trip - coil spring file pin non rem. trigger group		
309	Ejector sear spring	21720	Choke tube (optional)		
313	Ejector sear plunger	23103	Top lever		
314	Ejector sear pin	23104	Action bolt		
316	Ejector trip	23105	Safety		
322	Catch bolt	23109	Right ejector trip rod		
323	Cocking bar lock screw	23110	Left ejector trip rod		
324	Spring for catch bolt	23113	Top firing pin		
326	Latch plate	23114	Bottom firing pin		
327	Latch plate lever	23156	Trigger		
328	Lock screw for latch plate lev. sp.	23158	Connector		
329	Latch plate pin	23175	Sear retainer pin		
330	Return spring latch plate lever	23190	Spring file		
331	Lock pin for latch pl.lever	23200	Barrels (see guns price list)		
352	Stock bolt	23203	Right ejector		
353	Lock washer	23204	Left ejector		
354	Plain washer	23308	Right ejector sear		
355	Retainer guide	23317	Left ejector sear		
356	Recoil pad	23321	Iron forend (see guns price list)		