

524/06 CATCH 11X11 mm

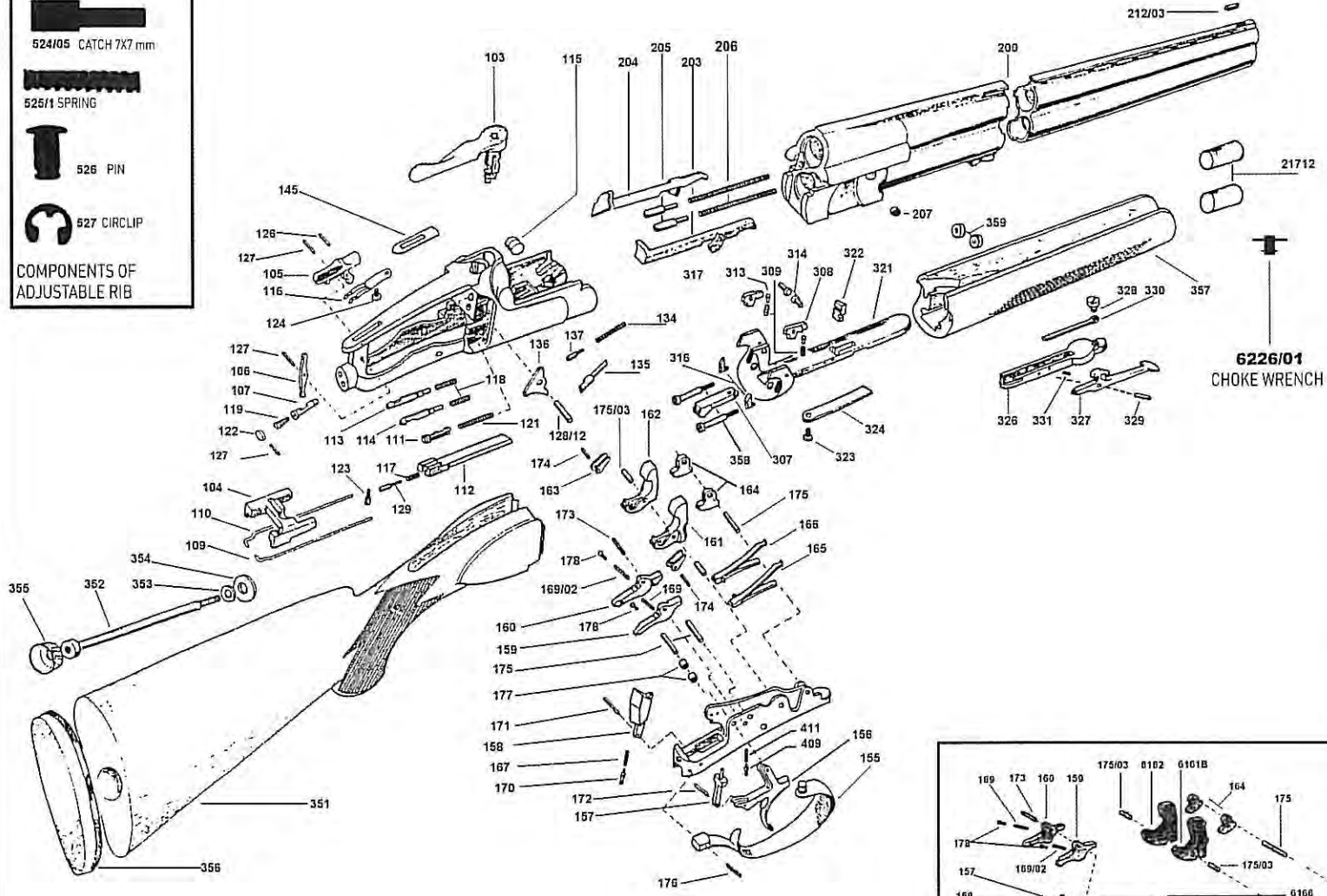
524/05 CATCH 7X7 mm

525/1 SPRING

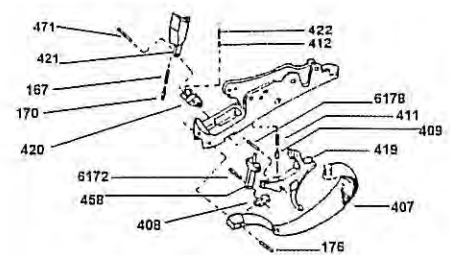
526 PIN

527 CIRCLIP

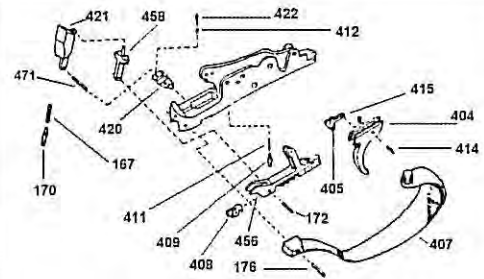
COMPONENTS OF ADJUSTABLE RIB



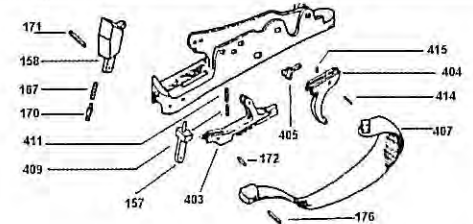
DETAILS OF 12GA MODELS WITH REMOVABLE TRIGGER GROUP



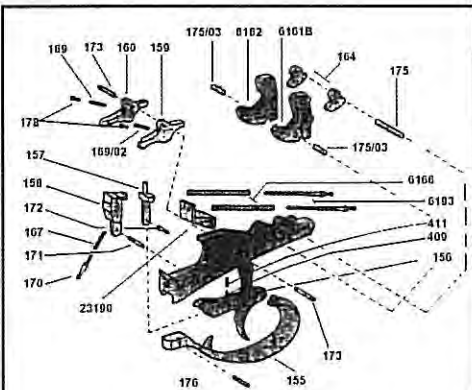
SELECTIVE TRIGGER GROUP



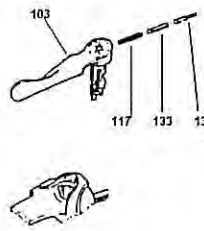
ADJUSTABLE AND SELECTIVE TRIGGER GROUP



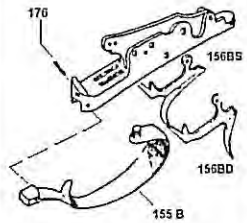
ADJUSTABLE TRIGGER GROUP



DETACHABLE TRIGGER GROUP WITH COIL SPRING



OLD TYPE TOP LEVER ASSEMBLY



DOUBLE TRIGGER

## EXPORT PRICE LIST APPLICABLE FROM JANUARY 1<sup>st</sup> 2012 DETAILS OF 12GA MODELS WITH REMOVABLE TRIGGER GROUP

Note: When placing an order for spare parts, please indicate the part number, its full description and the serial number of the gun.

Part N.	Description	Part N.	Description	Part N.	Description
103	Top lever	166	Left hammer flat spring	357	Forend (see guns price list)
104	Action bolt	167	Connector spring	358	Forend lock screw
105	Safety	169	Right sear spring	359	Forend lock bolt
106	Link trigger release	170	Connector plunger	403	Adjustable trigger upper part
107	Lock trigger plate	171	Connector pin	404	Adjustable trigger lower part
109	Right ejector trip rod	172	Connector post pin	405	Adjustable trigger tab
110	Left ejector trip rod	173	Pivot sear trip - coil spring file pin rem. trigger group	407	Trigger guard for adj trigger
111	Locking piece top lever	174	Bridle pin	408	Sear trip pin
112	Cocking bar	175	Sear retainer pin	409	Adjustable trigger retaining pin
113	Top firing pin	176	Trigger guard pin	411	Adjustable trigger return spring
114	Bottom firing pin	177	Sear retainer sleeve	412	Selector pin spring (optional)
115	Pivot	178	Sear plunger	414	Adjustable trigger tab pin
116	Safety spring	200	Barrels (see guns price list)	415	Adjustable trigger tab pin spring
117	Cocking bar spring	203	Right ejector	419	Trigger for external selector
118	Firing pin return spring	204	Left ejector	420	External selector tab
119	Trigger plate lock pin	205	Ejector spring plunger	421	Connector for ext. sel. tab
121	Top lever return spring	206	Ejector spring	422	Pin for external selector tab
122	Trigger plate lock cap	207	Ejector lock	456	Adjustable trigger upper part
123	Cocking bar screw check	307	Cocking bar cam	458	Release for external selector
124	Safety spring screw	308	Right ejector sear	471	Connector pin for external selector
126	Safety botton pin	309	Ejector sear spring	526	Pivot for adjustable rib
127	Link pin	313	Ejector sear plunger	527	Lock for adj. rib pivot
129	Plunger trip	314	Ejector sear pin	6162	Left hammer for coil springs
132	Top lever release trip (old type)	316	Ejector trip	6166	Right and left hammer coil spring
133	Top lever lock trip (old type)	317	Left ejector sear	6172	Sear trip pivot pin
134	Top lever lock pin return spring	321	Iron forend (see guns price list)	6178	Link retainer pin
135	Top lever stop plate release pin	322	Catch bolt	6193	Plunger for coil springs
136	Top lever stop plate	323	Cocking bar lock screw	21712	Choke tube (optional)
137	Top lever stop plate rel. sp.plunger	324	Spring for catch bolt	23190	Coil springs file
145	Under safety	326	Latch plate	128/12	Lock pin for top lev. and fir. pin
155	Trigger guard	327	Latch plate lever	155B	Trigger guard for double trigger group
156	Trigger	328	Lock screw for latch pl.lev. sp.	156BD	Right trigger for double trigger group
157	Right release	329	Latch plate pin	156BS	Left trigger for double trigger group
158	Connector	330	Return spring latch pl. lever	169/02	Left sear spring
159	Right sear	331	Lock pin for latch plate lever	175/03	Spring lock pin
160	Left sear	351	Stock (see guns price list)	212/03	Front sight
161	Right hammer for flat springs	352	Stock bolt	524/05	Adjustable rib tab 7x7
162	Left hammer for flat springs	353	Lock washer	524/06	Adjustable rib tab 11x11
163	Bridle	354	Plain washer	525/1	Spring for adj. rib tab
164	Cocking foot	355	Retainer guide	6161B	Right hammer for coil springs
165	Right hammer flat spring	356	Recoil pad	6226/01	Choke wrench (optional)