



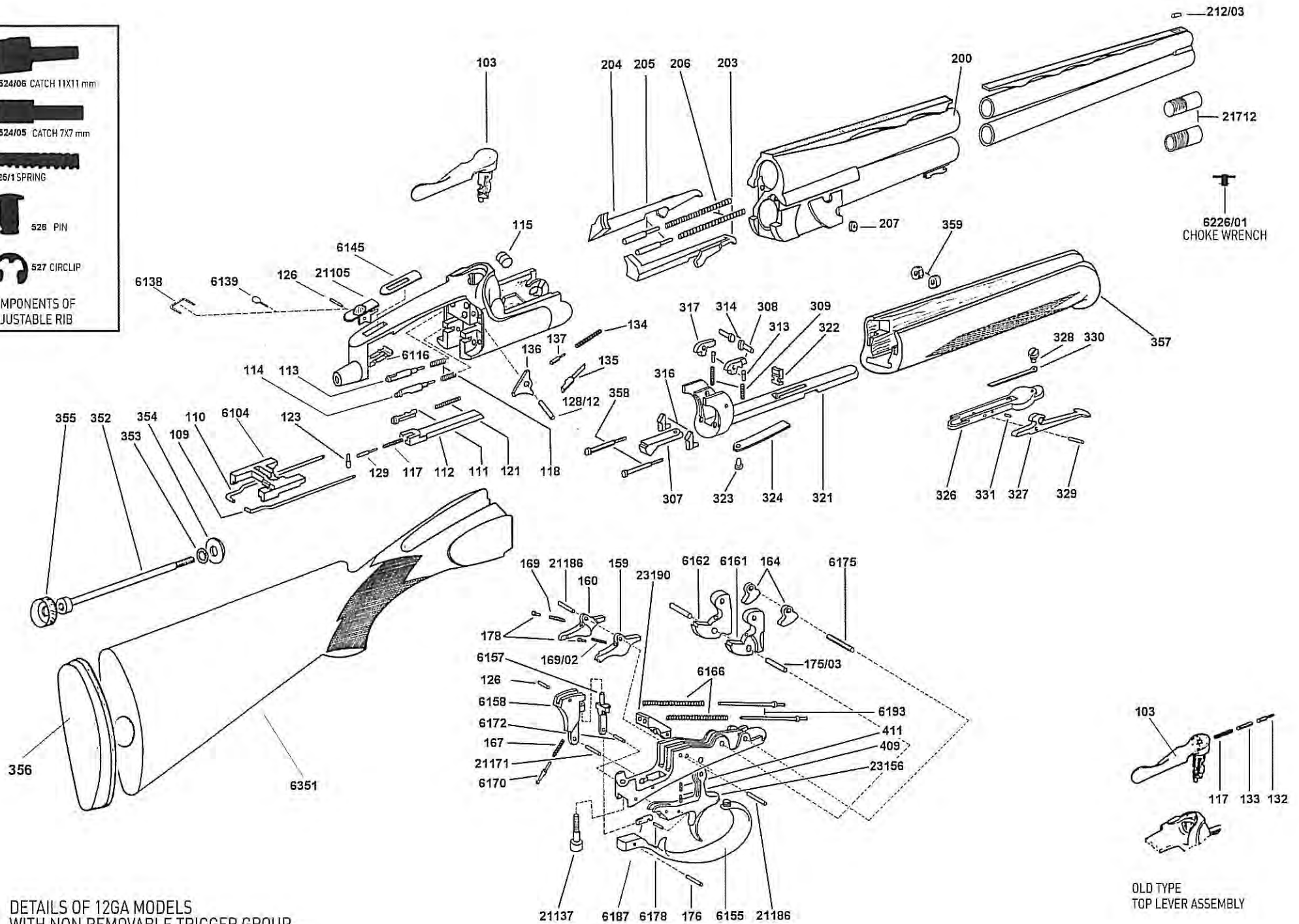
 524/06 CATCH 11X11 mm
 524/05 CATCH 7X7 mm
 525/1 SPRING
 526 PIN
 527 CIRCLIP
COMPONENTS OF ADJUSTABLE RIB



DETAILS OF 12GA MODELS
 WITH NON REMOVABLE TRIGGER GROUP

EXPORT PRICE LIST APPLICABLE FROM JANUARY 1st 2012 DETAILS OF 12GA MODELS WITH NON REMOVABLE TRIGGER GROUP

Note: When placing an order for spare parts, please indicate the part number, its full description and the serial number of the gun.

Part N.	Description	Part N.	Description	Part N.	Description
103	Top lever	322	Catch bolt	21171	Connector block pivot pin
109	Right ejector trip rod	323	Cocking bar lock screw	21186	Pivot sear trip - coil spring file pin non rem. trigger group
110	Left ejector trip rod	324	Spring for catch bolt	21712	Choke tube (optional)
111	Locking piece top lever	326	Latch plate	23156	Trigger
112	Cocking bar	327	Latch plate lever	23190	Spring file
113	Top firing pin	328	Lock screw for latch plate lev. sp.	128/12	Lock pin for top lever firing pin
114	Bottom firing pin	329	Latch plate pin	169/02	Left sear spring
115	Pivot	330	Return spring latch plate lever	175/03	Hammer pin
117	Cocking bar spring	331	Lock pin for latch pl.lever	212/03	Front sight
118	Firing pin return spring	352	Stock bolt	524/05	Adjustable rib tab 7x7
121	Top lever return spring	353	Lock washer	524/06	Adjustable rib tab 11x11
123	Cocking bar screw check	354	Plain washer	525/1	Spring for adj. rib tab
126	Safety retaining pin	355	Retainer guide	6226/01	Choke wrench (optional)
129	Plunger trip	356	Recoil pad		
132	Top lever release trip (old type)	357	Forend (see guns price list)		
133	Top lever lock trip (old type)	358	Forend lock screw		
134	Top lever lock pin return spring	359	Forend lock bolt		
135	Top lever stop plate release pin	409	Trigger retaining pin		
136	Top lever stop plate	411	Trigger return spring		
137	Top lever stop plate rel. sp. plunger	526	Pivot for adjustable rib		
159	Right sear	527	Lock for adj. rib pivot		
160	Left sear	6104	Action bolt		
164	Cocking foot	6116	Safety spring		
167	Connector spring	6138	Locking piece for safety bott. (optional)		
169	Right sear spring	6139	Locking pin for sel. lever (optional)		
176	Trigger guard pin	6145	Under safety		
178	Sear plunger	6155	Trigger guard		
200	Barrels (see guns price list)	6157	Sear trip		
203	Right ejector	6158	Connector block		
204	Left ejector	6161	Right hammer		
205	Ejector spring plunger	6162	Left hammer		
206	Ejector spring	6166	Hammer spring		
207	Ejector lock	6170	Connector block plunger		
307	Cocking bar cam	6172	Sear trip pivot pin		
308	Right ejector sear	6175	Sear retainer pin		
309	Ejector sear spring	6178	Link retainer pin		
313	Ejector sear plunger	6187	Sear trip pin		
314	Ejector sear pin	6193	Hammer spring plunger		
316	Ejector trip	6351	Stock (see guns price list)		
317	Left ejector sear	21105	Safety		
321	Iron forend (see guns price list)	21137	Lock bolt nut ret. screw		